



# ACTIVA 125

It's *Smart*IVA



**Honda Motorcycle and Scooter India Pvt. Ltd.**

**Registered Office:** Plot No. 1, Sector - 03, IMT Manesar, Distt. Gurugram, (Haryana) – 122050, India

**Visit us at:** [www.honda2wheelersindia.com](http://www.honda2wheelersindia.com) **Customer Care:** [customercare@honda2wheelersindia.com](mailto:customercare@honda2wheelersindia.com)

**Dealer Stamp:**

**Khandelwal Honda**  
Opp. Income Tax Office  
Akola  
Tel: 0724-2403592/2403358  
Mob: 7798511223



*There's something new about Activa 125, it just got smarter.*

*This Activa 125 is a trend-setter, as it is the first scooter to come with a smart key in the segment. Designed with H-Smart Technology, the smart key is your key to ease, convenience and comfort.*

*Not just that, there's a digital meter that'll give you real time updates throughout your ride.*

*So, if you unite Honda's trusted legacy with the supreme technology that builds the Activa125, you'll know*

*it's not just a scooter,*

***It's***  
***SmartIVA***

# *Technology*

*Equipped with the latest technology,  
here's everything that goes into building your Activa 125.*





Experience the globally acclaimed eSP technology that reduces friction and improves combustion, delivering class leading performance and mileage.

## POWERFUL 125CC ENGINE

Delivers best-in-class power and pick-up.



## IDLING STOP SYSTEM

Wasteful fuel consumption is eliminated with the Idling Stop System that automatically switches the engine off at traffic lights and other brief stops.

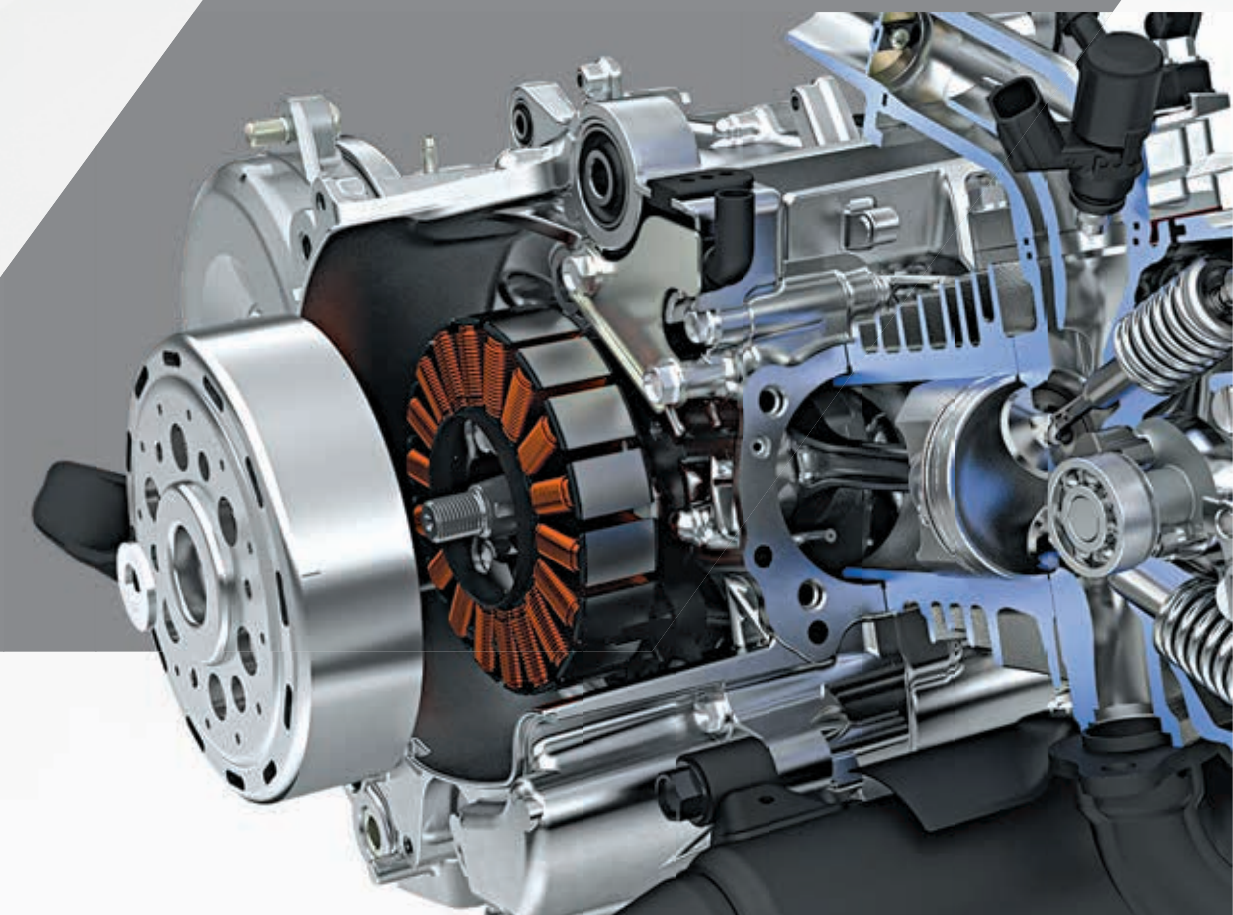


## FUEL EFFICIENT TYRES

Honda has developed a new Tyre Compound Technology that greatly reduces rolling resistance by maintaining the road grip.

## PGM-FI FUEL INJECTION

Sensor based PGM-FI system constantly adjusts the air/fuel mixture, as per the ride mode and conditions, allowing combustion. This results in consistent performance, better fuel efficiency, all weather start and lesser emissions.



## SILENT START WITH ACG

Activa 125 is equipped with ACG starter, which starts the engine silently by removing the gear meshing noise. It also reduces maintenance.

## ADVANCE MILEAGE INDICATIONS

Activa 125 is equipped with a modern digital meter that allows you to keep a track of fuel consumption, fuel efficiency and distance to empty throughout the ride.



### Real-Time Mileage

It displays live fuel efficiency throughout the ride.

### Distance To Empty

It displays the distance you can travel with remaining fuel in the tank.

### Average Mileage

It displays overall fuel consumption during the trip.

# *Smart Key*

With **H-Smart** Technology

*The new Honda Smart Key is built with H-Smart technology.  
It comes with several features that will transform your experience of using  
your Activa 125 – right from the moment you unlock.*





### Smart FIND



It's a hassle when one has to go looking for their ride in a parking lot or a crowded place among an array of other two-wheelers, or even in low-light conditions. With the Smart Key, this trouble is taken care of. All you have to do is, click on the **Answer Back Button** on your key, and all the four indicators of your Activa 125 will blink twice. It can be easily located even if it is as far as **10 meters!**

### Smart SAFE



We've ensured that your Activa 125 is always secure, even if it is not in sight. With the **Anti-Theft System**, you don't have to think twice about locking your ride, the Smart Key takes control over the protection of your scooter by activating the **immobilizer function** when the Smart Key goes beyond the **2 meter range** of your Activa 125.

### Smart UNLOCK



Your two-wheeler key isn't always handy, but with Honda Smart Key, you won't need the key in hand. When the Smart Key is within the **2 meter range** of Activa 125, you push and rotate the knob to perform various operations like your **seat, fuel cap and handle** can all be unlocked just like that.

### Smart START



Here's a way to start your ride that doesn't even require you to take out the key from your pocket! Once the key is within **2 meters** of your Activa 125, and activated, all you have to do is **push the knob** – the LED Smart Key indicator on the speedometer will come on – then just rotate the knob to **turn on the ignition and start the engine with Start/Stop switch**.



# *Style & Convenience*

*Let your arrival make a statement full of style along with convenience that stays throughout the ride.*



**LED HEADLAMP AND  
SIGNATURE LED  
POSITION LAMP.**

The glamorous LED headlamp with stylish LED position lamp adds to the style quotient of Activa 125.



**COMMANDING TAIL LAMP**

The bold, X-shaped broad design of the tail lamp commands attention and admiration equally.



**PREMIUM CHROME  
STROKE ON SIDE PANEL**

Activa 125 logo is carved on the side panel with chrome highlights, projecting the premium essence of your scooter.



**MULTI - FUNCTION  
SWITCH UNIT\***

One compact console ensures safety of the vehicle and convenience of opening the underseat storage and external fuel lid.



**DOUBLE LID EXTERNAL  
FUEL FILL**

Fuel filling right at your fingertips. Now get fuel filled while sitting on your scooter.



**OPEN GLOVE BOX**

Spacious open glove box adds additional storage space.

# *Reliability & Comfort*

*Activa 125 is efficiently backed by Honda's trusted legacy.  
Take a ride with features that make your ride reliable and super comfortable.*





### **FULL METAL BODY**

Full metal body complements the solid trust of the Activa 125.



### **SIDE STAND ENGINE CUTOFF\***

Side stand engine cut off prohibits the engine from starting, when the side stand is open.



### **TELESCOPIC FRONT SUSPENSION AND FRONT DISC BRAKE#**

Telescopic front suspension makes every ride comfortable and disc brake provides control & confidence in all speeds.

# Technical Specifications

## BODY DIMENSIONS

|                    |                                                       |
|--------------------|-------------------------------------------------------|
| Length             | 1850 mm                                               |
| Width              | 707 mm                                                |
| Height             | 1170 mm                                               |
| Wheel Base         | 1260 mm                                               |
| Ground Clearance   | 162 mm                                                |
| Seat Length        | 712 mm                                                |
| Kerb Weight        | 1. Drum: 110 kg<br>2. Drum Alloy, Disc, Smart: 109 kg |
| Fuel Tank Capacity | 5.3 L                                                 |

## ENGINE

|                   |                                                        |
|-------------------|--------------------------------------------------------|
| Type              | 4 Stroke, SI Engine                                    |
| Displacement      | 124 cc                                                 |
| Max Net Power     | 6.11 kW @ 6250 rpm                                     |
| Max Net Torque    | 10.4 N-m @ 5000 rpm                                    |
| Bore              | 50.000 mm                                              |
| Stroke            | 63.113 mm                                              |
| Fuel System       | PGM-Fi                                                 |
| Compression Ratio | 10.0:1                                                 |
| Air Filter Type   | Viscous Paper Filter                                   |
| Starting Method   | 1. Drum, Drum Alloy, Disc: Kick/self<br>2. Smart: Self |

## TRANSMISSION

|             |           |
|-------------|-----------|
| Clutch Type | Automatic |
|-------------|-----------|

## TYRES & BRAKES

|                           |               |
|---------------------------|---------------|
| Tyre Size (Front)         | 90/90-12 54J  |
| Tyre Size (Rear)          | 90/100-10 53J |
| Tyre Type (Front & Rear)  | Tubeless      |
| Brake Type & Size (Front) | Disc-190 mm   |
| Brake Type & Size (Rear)  | Drum-130 mm   |

## FRAME & SUSPENSION

|            |                                              |
|------------|----------------------------------------------|
| Frame Type | Under Bone                                   |
| Front      | Telescopic                                   |
| Rear       | 3-Step Adjustable Spring<br>Loaded Hydraulic |

## ELECTRICALS

|          |                                                                   |
|----------|-------------------------------------------------------------------|
| Battery  | 1. Drum, Drum Alloy: 12V 4Ah (MF)<br>2. Disc, Smart: 12V 5Ah (MF) |
| Headlamp | LED                                                               |

# Colours



HEAVY GRAY METALLIC



MIDNIGHT BLUE METALLIC



PEARL NIGHT STAR  
BLACK



PEARL PRECIOUS WHITE WITH  
SALEN SILVER METALLIC



REBEL RED METALLIC

• The technical specifications and design of the vehicle may vary according to the requirements and conditions without any notice • \*Distance to empty, real time and average mileage readings may vary as per the variant and riding conditions • Activa 125 meets Bharat Stage VI norms • Product shown in the picture may vary from the actual product available in the market • Accessories shown in the picture are not part of the standard equipment

• The technical specifications mentioned are for the H-Smart variant • \*All features and colours may not be part of all variants • \*\*Conditions apply